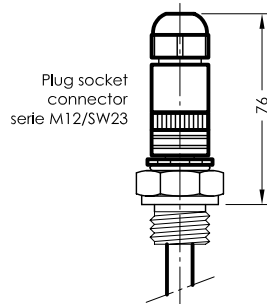
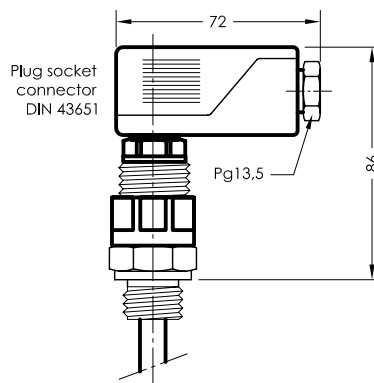
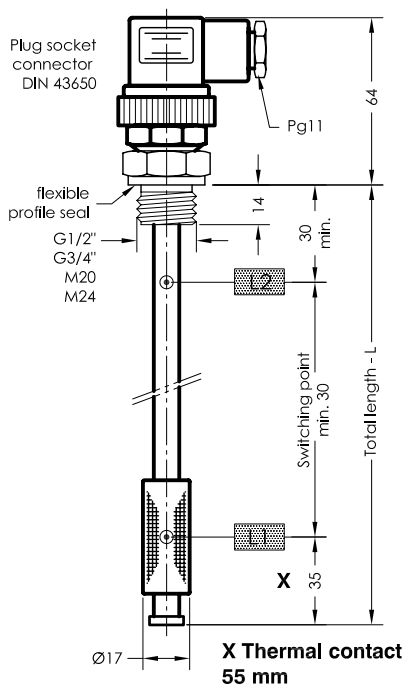


NR 1/2" - 3/4" - M20 - M24

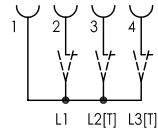
Level regulator for tank insert

serial No. Date
IN-GB- 100 03/03



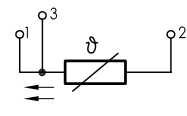
Types
M12/4 = 4-channel
M12/8 = 8-channel

Plug securing Break/Make

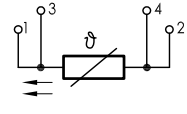


Function when tank empty

Pt100

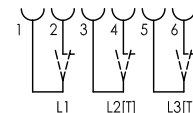


Three-wire connection



Four-wire connection

separate Break/Make



Function when tank empty

Specimen order

NR 1/2"-L255-01-L1/200/S-T70Ö-M12/4

Tank connection:
1/2"
3/4"
M20
M24

Total length -L of switching tube (mm)

Level contact type
01 = fixed, plain

Pt100
Sensor
Thermal contact
T55Ö (S)
T60Ö (S) (Ö preferred)
T70Ö (S)
T80Ö (S)

Switching point L1-L3/ mm from sealing edge

Ö = break

S = make

Function with increasing level

Description

The level regulator type NR 1/2", 3/4", M20, M24 for tank insert is a solenoid switch operating without contact with the function of monitoring and regulating liquid levels and temperatures.

The switching tube contains bistable protective gas contacts, fixed in position. For fixed contacts, the contact intervals and their function must be given.

The permanent magnet built into the float switches the contacts when the level changes. The switching difference (hysteresis) is 4 mm. For temperature monitoring and regulation, thermal elements such as thermal contacts can be additionally incorporated.

The level regulator is maintenance-free when nondeposit media are used.

Technical data

Switching tube Connection

Brass, max.L = 500mm
Brass G1/2" SW27
Brass G3/4" SW32
Brass M20 x 1,5
Brass M24 x 1,5

Nominal pressure
Temperature of medium
Float

1 bar max.
80°C max.
Plastic, type SB17
Ceramic, type ELSB17 (seal: viton)

Level contacts
Plug socket connector

Make/break contacts
DIN 43650 or DIN 43651 IP65
or serie M12 IP68

Operating voltage
Switching current
Switching potential
Number of functions
*Thermal contacts

220V max.
1A max.
20 W/VA max.
max. 3 can be incorporated
Sheet TR-GB-507



GOLDAMMER
REGELUNGSTECHNIK GMBH

FELDSTRASSE 24 A
P.O.BOX 10 02 17
D-40802 METTMANN

PHONE (49) 2104/12093
FAX (49) 2104/12028

www.Goldammer-Regelungstechnik.com