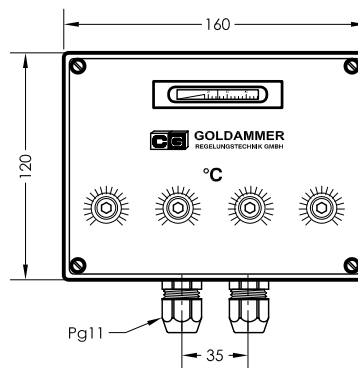
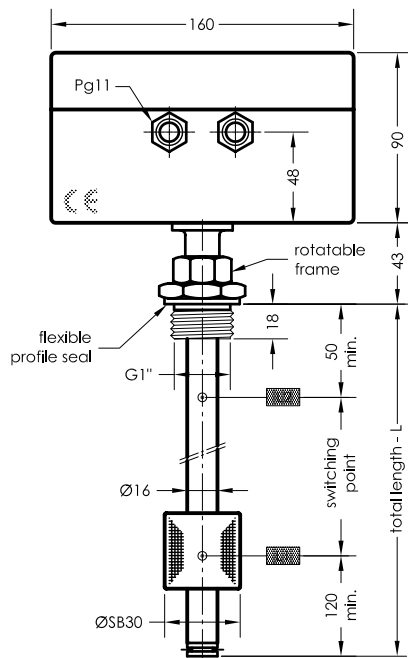


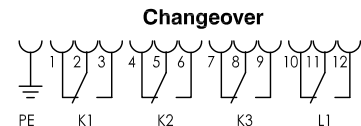
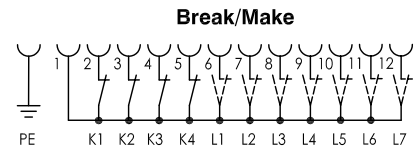
# NTR ... - K3 / K4

## Level - Temperature - Capillary tube - Regulator

serial No. Date  
NT-GB- 400b 12/02

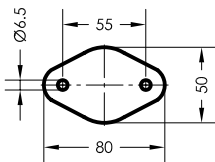


### Terminal diagram

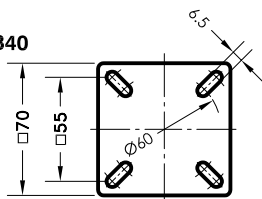


Function when tank empty

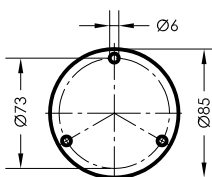
Flange 50, SB40



Flange 70, SB40



Flange 85, SB40



according to  
DIN24557 part 2  
(with 3 borings)

Insertion opening Ø41

Insertion opening Ø61

### Specimen order

#### NTR 50 -K3-A-L370-01-L1/250/S-T70Ö

Connection

G1"  
50  
70  
85

Temperature

K3= 3 contact  
K4= 4 contacts

A= Indication of  
actual temperature  
O= without Indication

Total length (mm)

Pt100

Sensor

Thermal contact

T55Ö (S)

T60Ö (S) (Ö preferred)

T70Ö (S)

T80Ö (S)

Switching point L1-L3/  
mm from sealing edge

Ö = break

S = make

W = changeover

Function with  
Increasing level

Level contact type

01 = fixed, plain

02 = fixed, changeover

### Description

The level - temperature - capillary tube - regulator NTR ... K3 / K4 for tank Insert is a combined unit for level and temperature regulation.

To monitor the level, the switching tube contains bistable level contacts are fixed in position. The permanent magnet built into the float switches the contacts when the level changes. The switching difference (hysteresis) is 4mm. The temperature is regulated with the capillary tube device. It operates on the principle of liquid expansion. The thermal probes are located in the lower half of the switching tube. A maximum of 4 temperature contacts, adjustable from 0 to 120°C, and an actual temperature display for 0 to 120°C can be incorporated. For temperature monitoring and regulation, thermal elements such as Pt100, sensors and thermal contacts can be additionally incorporated. The cable connections are made with series terminals of 1,5 mm<sup>2</sup>. The device is also available with gold contacts. With optional plug socket connector DIN 43651 IP65 or serie M12/SW23 IP68.

### Technical data

Switching tube  
Switch cabinet  
Electric. connection

Tank connection  
Nominal pressure  
Temp.of medium  
Float  
Level contacts  
Switching current  
Switching potential

Temperature contacts  
Temperature range  
Temperature display  
Switching accuracy  
Switching difference  
Thermal elements  
Number of functions  
\*Thermal contact

Brass, max. L = 1000mm  
PC, IP65  
Cable thread Pg11 + series terminals 1,5mm<sup>2</sup>, plug-socket connector optional, with seal  
1 bar max.  
100 °C max.  
Hard Pu SB30, SB40  
bistable make/break/changeover  
1A max.  
Contact type 01 20W/VA max., 220VAC max. Cont. type 02 60W/VA max., 250VAC/DC max. 250V, 10A max.  
0 to 120°C, adjustable  
0 to 120°C  
3k  
4k  
Pt100, sensor, thermal contact max. 3 can be incorporated  
Sheet TR-GB-507



**GOLDAMMER**  
REGELUNGSTECHNIK GMBH

FELDSTRASSE 24 A  
P.O.BOX 10 02 17  
D-40802 METTMANN

PHONE (49) 2104/12093  
FAX (49) 2104/12028  
www.Goldammer-Regelungstechnik.com