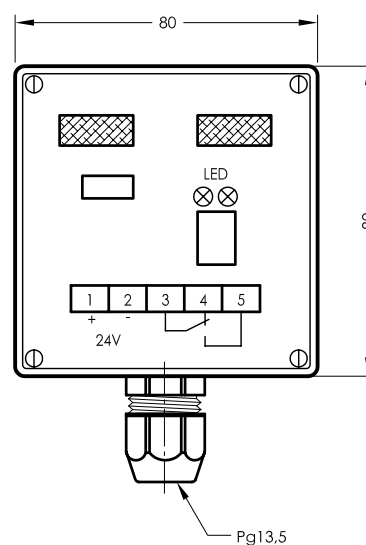
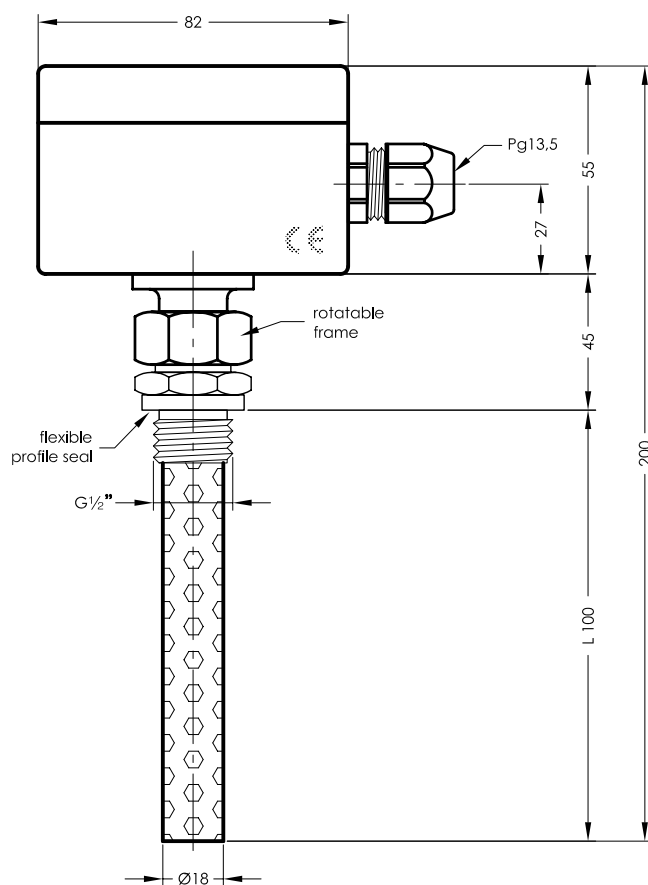


WM 1 - 24V DC

Water indicator

serial No. Date
WM-GB- 700 12/02



Presentation of contact function
with trouble free operation

Specimen order

WM 1 - L100 - 24V DC

Standard length 100 mm
Special lengths on request

Description

The electronic water indicator is used for the control and regulation of all kinds of liquids and is primarily employed in hydraulic and lubrication oil appliances. This type signal minimal water quantities in oil. Also oil emulsions and other liquid conductive media can be detected on requested (state when ordering). Calibration is undertaken at the works. The device operates on the capacitance principle and emits a signal on detecting a dielectric change. The sensor can be removed from the screw-in type housing by loosening a union nut or rotated through 180°. Depending on the design of the sensor, parts of less than 2% water in oil can be signalled. Electrical connection to the supply system must be made with a shielded cable for interference-free data signal transmission for all electronic areas.

Technical data

Operating temperature	0 to 100°C
Supply voltage	22-40V DC
Contact output	1 changeover contact 24V, rupturing capacity 1A max.
Electr. connection	Cable thread Pg13,5 + series terminals 1,5 mm ²
Sensor housing	Plastic EMV shielded
Protective tube	Stainless steel / brass
Switching tube	Plastic
Operating pressure	6 bar max.
Power consumption	1,2 W



GOLDAMMER
REGELUNGSTECHNIK GMBH

FELDSTRASSE 24 A PHONE (49) 2104/12093
P.O.BOX 10 02 17 FAX (49) 2104/12028
D-40802 METTMANN www.Goldammer-Regelungstechnik.com